



80x80x15 mm SERIES

GENERAL SPECIFICATIONS

Frame&Impeller Material: Plastic(UL 94V-0)

Bearing Type: B: Dual ball bearing

S: Sleeve bearing

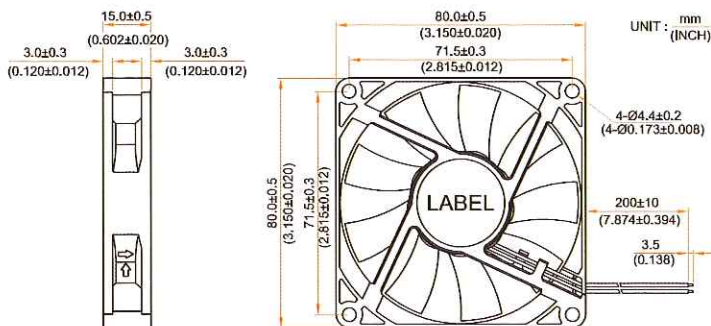
Lead Wires: UL 1007 AWG#24 OR Equivalent

Red Wire Positive(+)

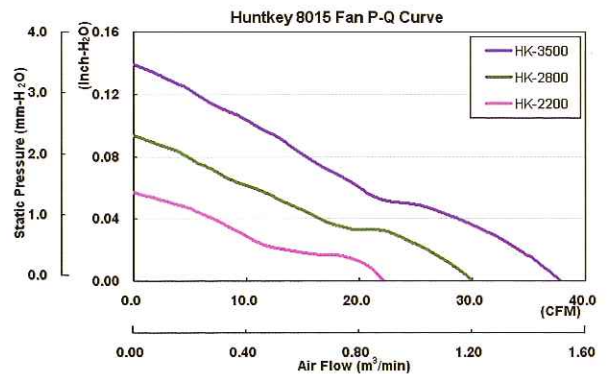
Black Wire Negative(-)

Weight: 46g(1.62oz)

DIMENSIONS DRAWING



P-Q CURVE



MODEL	Rated Voltage	Operating Voltage Range	Rated Current	Rated Input Power	Speed	Maximum Air Flow	Maximum Air Pressure	Noise		
PART NO.	VDC	VDC	Amp	Watt	R.P.M.	m ³ /min	CFM	mm-H ₂ O	Inch-H ₂ O	dB-A
AS8015L12	12	5.0 to 13.8	0.11	1.32	2200	0.632	22.30	1.45	0.057	27.1
AS8015M12	12	5.0 to 13.8	0.19	2.28	2800	0.850	30.00	2.38	0.094	33.2
AS8015H12	12	5.0 to 13.8	0.26	3.12	3500	1.071	37.80	3.53	0.139	36.3

*Function type is optional.

*The max. air flow and the speed are measured in free air; max. air pressure is measured at zero air flow.

*Noise is measured in anechoic chamber in free air, one meter from intake side.

*All readings are typical values at rated voltage.

*Specifications are subject to change without notice.

HUNTKEY ENTERPRISE GROUP

Add: Huntkey Industrial Park, Banxue Road, Bantian, Shenzhen, 518129, China

Tel: +86-755-89606666 Fax: +86-755-89606333 E-mail: markets@huntkey.com Website: www.huntkeydiy.com www.huntkey.com